



Volvo Trucks. Driving Progress

VOLVO VHD SERIES

RENOWNED DURABILITY MEETS OUTSTANDING PRODUCTIVITY



SEE THE DIFFERENCE EVERY DIFFERENCE MAKES.



Driver Productivity:
Space, features,
comfort.

See how the VHD
series can help
keep drivers
comfortable and
productive.

pg. **22**



Fuel Efficiency:
Maximize payload and
performance, minimize
operating cost.

Premium engines and
advanced powertrain
technology deliver the
performance you need
and the fuel efficiency
you demand.

pg. **36**



Safety:
Industry-leading
protection.

Learn how Volvo's
legendary commitment
to safety helps protect
your most valuable
asset—your drivers.

pg. **40**



Uptime:
Know the road ahead.

Discover the power
to know the road ahead
with a suite of services
that lets you keep
wheels turning and
money in your pocket.

pg. **46**



VHD 300F
Axle forward.

VHD 300FT
Axle forward,
tractor.

VHD 300B
Axle back.

WHY VHD?

Serious off-highway capability and premium on-highway features are combined in our versatile vocational performer, the VHD. Equipped with the Volvo integrated drivetrain, the VHD has the brawn required for vocational hauling and the brains to minimize operating costs.

Whether you need tight maneuverability for straight-truck applications like concrete pumpers and mixers or a bridge-law compliant wheelbase for an end-dump tractor, the VHD offers the versatility to meet your needs with available axle-forward and axle-back configurations.

Rugged front and rear axles provide extra durability for tough vocational applications. Inside, a long list of standard and optional amenities bring premium comfort to the VHD daycab and sleeper models.



The toughest truck, for the toughest jobs.

When payload requirements demand a bridge-law compliant configuration, the VHD 300F Axle Forward is the solution. With an easily customizable chassis, up to nine power take-off options, and a factory installed piston or gear pump, the VHD 300F is simple to tailor to your specific needs.

Hauls heavy loads with ease.

For tight jobsites that demand maximum maneuverability, the VHD 300B Axle Back configuration meets the requirements for both straight-truck and tractor applications.



When carrying heavy loads in rugged terrain and crowded construction sites you need a vocational truck that's up for the job—one that's built to last. This is where the VHD 300B helps you deliver, day after day. It's a reliable partner that gets the job done quickly and efficiently.



The vocational sleeper others will envy.

Tough enough to tackle the most demanding jobs with ease. Dependable enough to keep working, even when the work gets tough. Comfortable and quiet, so you can stay alert the entire workday—and still have enough energy to enjoy your off-duty hours. Plus, the flexibility of axle forward and axle back configurations. That's the VHD 400.

It's ideally suited for heavy or customized vocational hauling, when making your delivery on time sometimes means spending the night on the road. The comfortable 42" sleeper means you can tackle those longer routes without losing precious time.

All to get you on the job faster and keep you on the job longer.

Learn more: USA: VHD.volvotrucks.us | CAN: VHD.volvotrucks.ca



Not just a workspace, a space that works.

The VHD dashboard is optimized to reduce distraction by displaying the critical information a driver needs at a quick glance and by grouping frequently used controls within easy reach.

A configurable, five-inch driver color display with industry-leading graphics works with steering wheel-mounted controls to provide key operating parameters, as well as access to system settings and configurable diagnostic aids.

A dash-top tray with multiple connections provides a safe, convenient home for a driver's many gadgets, which can also be linked to an optional in-dash infotainment system.

Always in view, the instrument cluster's clean, symmetrical layout, and diffused, light-green backlighting makes it easy to read, reducing eyestrain and fatigue.

Learn more: USA: VHD.volvotrucks.us | CAN: VHD.volvotrucks.ca



Configurable LCD screen.

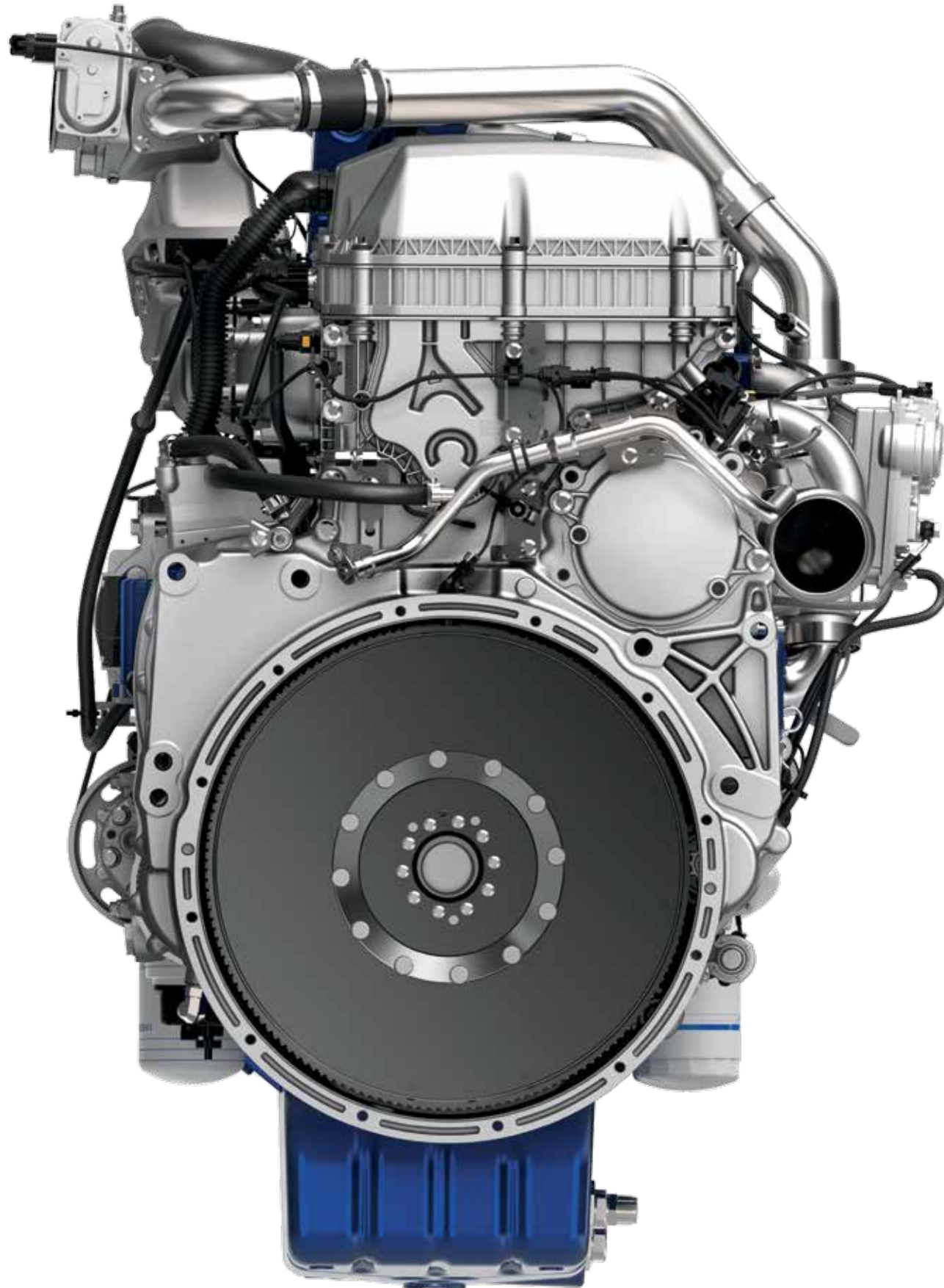
At the heart of the instrument cluster is a color LCD display. A full five inches wide, it can be configured to provide trip information, performance data, and a wide range of vehicle diagnostics.



Optional infotainment system.

The infotainment system is available in every VHD. It features a seven-inch color touch screen and an integrated premium audio system. Drivers can also choose to install navigation tools and a wide selection of third-party applications.





All the power your job needs.

The Volvo engine family is built on a foundation of proven, developed architecture that leverages innovative hardware to maximize power and torque with greater efficiency. Energy that is normally lost is recovered with standard features, including lower friction pistons that optimize cylinder efficiency. A standard common-rail fuel injection system gets the most power out of every drop of fuel. And reliability isn't sacrificed for greater efficiency. All Volvo D11 and D13 engines carry a B50 life of 1.2 million miles.

Our reliable Variable Geometry Turbocharger (VGT) compresses and moves the intake air while providing the correct back pressure to drive the EGR process. And the VGT enhances our intelligent Volvo Engine Brake (VEB). This gives drivers impressive engine braking and reduces some of the wear and tear on brake linings that's so common in off-highway jobs.



Volvo D11
325-425 hp, 1250-1550 lb-ft.

The Volvo D11 is a fuel-efficient, lightweight engine designed to improve reliability and minimize cost of operation. The D11 delivers performance competitive with larger engines, beginning at 325 hp and up to an impressive 425 hp at 1,550 lb-ft. torque. Ratings for Eco-Torque are available. It's also a lighter solution for maximizing fuel efficiency in tare-weight sensitive vocational applications.



Volvo D13
375-500 hp, 1450-1850 lb-ft.

The Volvo D13's efficiency and power improve operating costs, while meeting 2017 GHG emissions standards. Twelve power ratings are available, from 375 to 500 hp.

Eco-Torque and Dual-Torque ratings provide "dual-personality" torque output for customers who desire the fuel economy of lower torque with the strong performance of higher torque.

An automated manual transmission with digital intelligence.

Every VHD comes with the Volvo I-Shift for Severe Duty transmission, built for rugged applications. The Volvo I-Shift for Severe Duty includes upgraded hardware and software, improved engaging sleeves for greater durability, and a countershaft brake for improved performance and smoother shifting. The electronic control unit can handle any load and any road, shifting perfectly every time. Clutch durability and torsional dampening are also upgraded. So the Volvo I-Shift not only keeps fuel costs down, it slows driveline wear, reduces noise, extends transmission life, and lowers maintenance costs.



Greater productivity on the jobsite.

The Volvo I-Shift allows drivers to be more focused and productive. The automated manual transmission allows them to fully concentrate on the work environment. Without the constant demands of shifting, they can be more focused and alert for jobsite hazards that may create downtime or delays.



Eases your mind and your left foot.

Once you drive an I-Shift, you'll never want to deal with a clutch pedal again. The Volvo I-Shift lets you concentrate on the task at hand—delivering loads—not on what gear you're in. It's easy to use and always ready with the right gear, so missed shifts and sore knees are a thing of the past. With I-Shift, just sit back, get comfortable, and concentrate on your driving.



Brains, brawn, and value.

With a Volvo D11 or D13 engine, Volvo's torque rating for I-Shift goes up to 1,900 lb-ft., so it's compatible with any Volvo engine you choose for the VHD. But did you know that I-Shift can also increase your truck's resale value? If your Volvo truck was purchased with a lower engine power rating, a simple software flash can update it to the highest power rating for its displacement—without having to replace the transmission.



Startability on steep grades.

Even the best drivers on the jobsite can be challenged by extreme grades, poor surface conditions, and maximum GCW loads. I-Shift leverages the integrated control of engine speed, clutch engagement, and gear selection to coordinate smooth, quick starts on the steepest grades. It provides a greater comfort level for drivers on challenging jobsites.

Make the shift to the ultimate low-speed control.



When steep-grade startability and low-speed maneuverability are critical, the I-Shift with Crawler Gears is the answer for maximum Gross Combined Weight (GCW) loads. The crawler option adds either one or two gears to the I-Shift, a low gear and ultra-low gear, for low-speed control.

The I-Shift with Crawler Gears' weight capacity is among the industry's highest for automated manual transmissions. It enables controlled forward and reverse travel at extremely slow speeds, perfect for paving and curbing applications. Upgraded software optimizes shifting for high GCW applications, allowing shifting to occur at higher revs, and enabling drivers to control downshifts.

Learn more: USA: VHD.volvotrucks.us | CAN: VHD.volvotrucks.ca

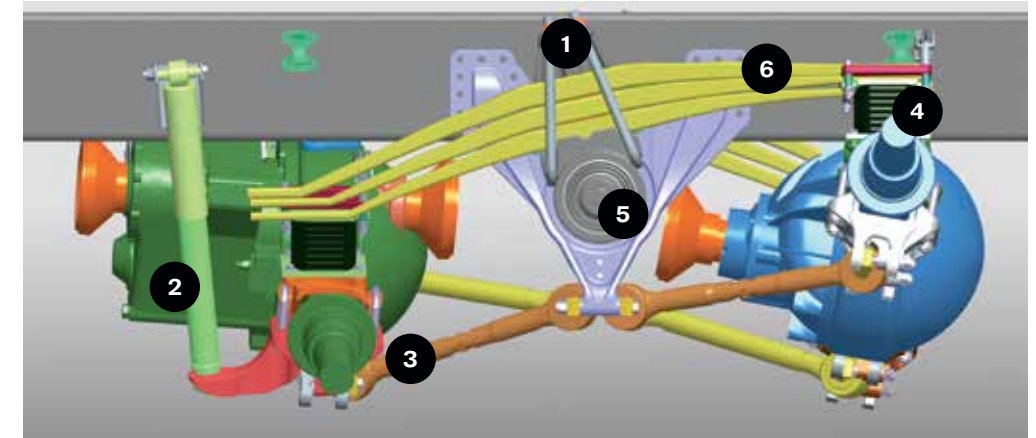




Sure, stable footing for extreme loads and conditions.

The VHD suspension system is designed to deliver the best ride even under the worst conditions. Our industry-leading articulation can provide constant ground pressure for greater traction. The standard Volvo T-Ride suspension features trunnion-mounted springs and rubber towers for excellent traction and articulation in off-road conditions.

With rear axle capacities to 58,000 pounds, a full 17 inches of cross-articulation on each individual wheel end, low-maintenance nylon bushings, and maintenance-free sealed V-rods and torque rods, Volvo's T-Ride suspension delivers non-stop performance in extreme conditions. All with little to no maintenance.



1. Fasteners.

Maintenance-free Huck-Spin fasteners eliminate re-torque requirements.

2. Shock absorbers.

Four shock absorbers displace force evenly.

3. Alignment arms.

Four maintenance-free alignment arms maintain axle geometry without limiting movement.

4. Tower.

Rubber encased steel plated tower provides only vertical loading to springs.

5. Bushing.

Maintenance-free rubber bushing improves uptime.

6. Weight capacity.

T-Ride suspension offers weight rating options from 34,000 to 58,000 pounds. Three parabolic spring types are offered; 5-leaf soft, 3-leaf, and 2-leaf firm. Two multi-leaf springs are also available; 11-leaf narrow and 9-leaf narrow.

V-rods (not pictured).

Twin v-rods offer superior bushing life and maintain axle geometry without limiting movement.

DRIVER PRODUCTIVITY

A construction worker wearing a yellow safety vest, a white hard hat, and safety glasses is operating a red Volvo truck. The worker is looking upwards and to the right, with their hands on the controls. The truck's dashboard and various levers are visible. The background is a clear blue sky.

Premium features. Maximum efficiency.

A comfortable driver is a productive driver. So the VHD series starts with a solid chassis and sure-footed suspension. The well-insulated cab offers superior noise suppression, great visibility, adjustable and supportive seats, and a wraparound dashboard designed to keep all controls within reach.

Superior handling for tough conditions.

The VHD offers a panoramic one-piece windshield, sloped side windows, sloped hood, and split rearview mirror design, giving you best-in-class visibility for a better view of where you're going. With Volvo's highly responsive steering, this truck handles beautifully whether you're driving in heavy traffic or heavy snow. Vents in the doors and dash help keep your view clear on all sides.



Wheel cut.

Through strategic positioning of the steering gear, Volvo maximizes the wheel cut on both the axle forward and axle back positions. With a front suspension design that provides a more comfortable ride and a vocational aluminum wheel, a wheel cut of up to 50 degrees delivers a turning radius that's among the tightest in the industry.

Learn more: USA: [VHD.volvotrucks.us](https://www.volvotrucks.us) | CAN: [VHD.volvotrucks.ca](https://www.volvotrucks.ca)



More performance, less wear.

When payloads are extreme, smooth, accurate shifts are critical. Whether running at tare weight or maximum GCW, Volvo's I-Shift optimizes gear selection to maximize performance and minimize fuel consumption, allowing the driver to remain focused on his/her surroundings.

I-Shift's close integration with the Volvo powertrain ensures that shifts are made smoothly, at the ideal engine speed, reducing much of the drivetrain and chassis wear typically associated with vocational applications.



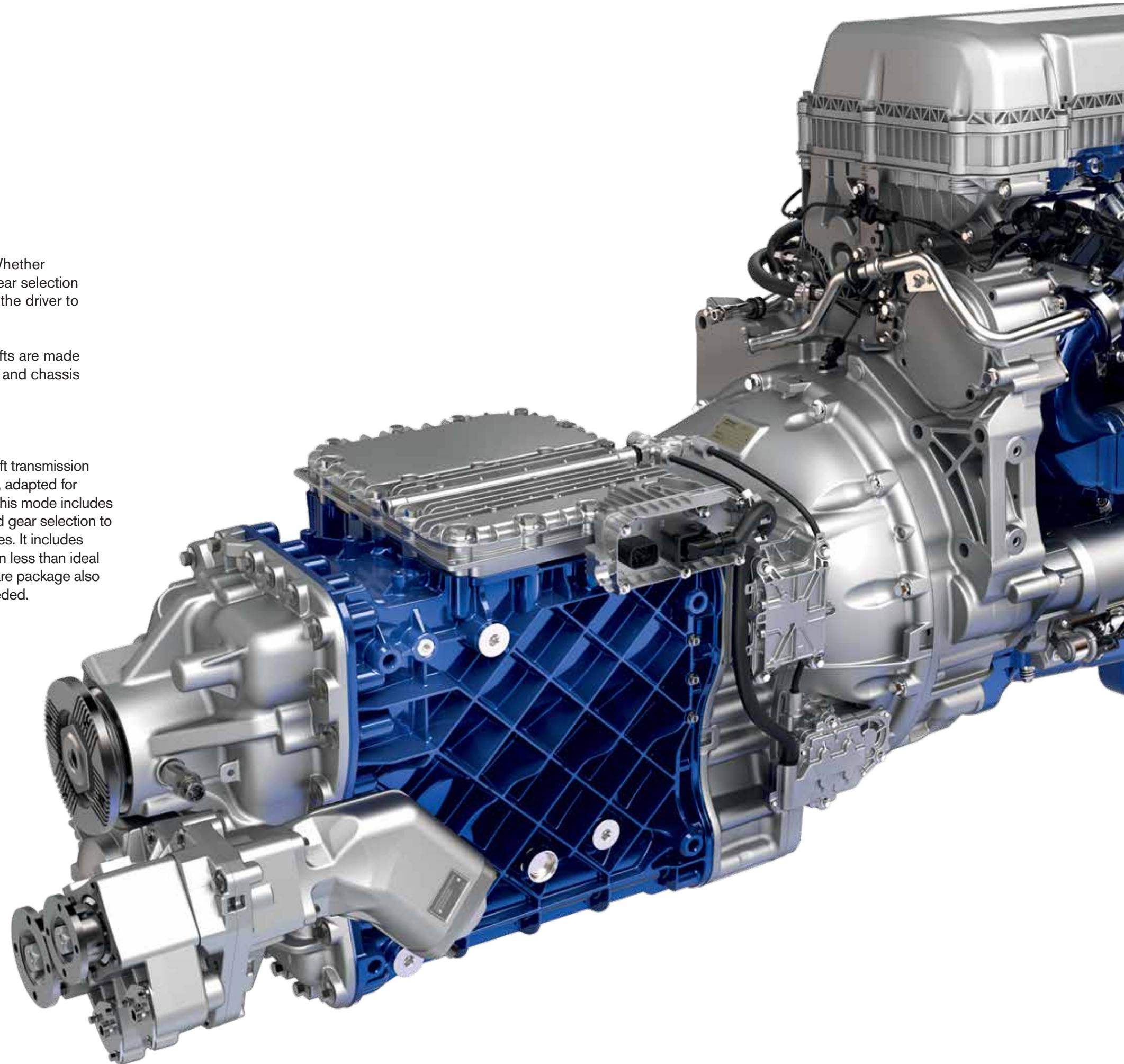
Performance software package.

Volvo VHD models equipped with the I-Shift transmission offer the P+ Enhanced Performance mode, adapted for construction and heavy haul applications. This mode includes various functions that adapt shift points and gear selection to poor driving surfaces and hilly road stretches. It includes functions that aid starting from a standstill in less than ideal driving conditions. The performance software package also gives the driver the ability to rock free if needed.



Power launch.

The P+ Power Launch feature is a part of the performance software package. It is activated to provide extra torque when starting from a standstill, when loaded to capacity, or on poor terrain. The feature matches torque to the terrain, minimizing wheel-slip on soft surfaces.





Power take-off. Brute force at your service.

It has never been easier to perform multiple tasks with your truck, thanks to Volvo's power take-off (PTO). With nine PTO offerings, the Volvo VHD has the right combination for your application, no matter what body you operate or powered equipment you have to drive. With the ability to provide PTO drive connections in three different positions (Front Engine PTO, Rear Engine PTO, and Transmission Mounted PTO) for gear pumps, piston pumps, or direct drive shaft connections, the VHD has what you need.



Because every driver is one of a kind.

No two drivers are exactly alike, so we set out to design a steering solution that lets drivers set the ideal height and angle, no matter who's behind the wheel. The result is Volvo's new Position Perfect™ steering wheel. With a three-way neck tilt, drivers have an almost endless array of choices for positioning the wheel exactly where they prefer it for comfort and gauge visibility.



Like riding on air.

Volvo cab air suspensions and outboard mounted air springs, shocks, and stabilizing rod help the VHD series give drivers a smooth ride.



Comfort comes standard.

To meet the comfort, health, and safety needs of today's drivers—and tomorrow's—VHD seating has been refined based on extensive ergonomic research. From smallest to largest, drivers will benefit from optimized seat placement, increased range of adjustment, and more accessible controls. Our optional built-in refrigerator feature under the passenger seat provides cold storage—accessible from driver seat—for snacks and drinks.



Critical data, clearly displayed.

A new, more symmetrical instrument cluster combines well-organized, traditional gauge faces with a high-resolution, five-inch color LCD screen. The programmable LCD screen can be configured to display a wide range of vehicle data alerts and system settings.



System control, close at hand.

To keep the driver's hands on the wheel, multiple systems can be controlled through steering wheel-mounted switches. The touch-friendly switch layout enables cruise control, entertainment, and other settings to be changed without diverting attention from the road. The steering wheel and controls are always close at hand, thanks to a new three-motion tilt/telescope Position Perfect™ wheel.



Easy in and out.

Doors are 3+ feet wide, 4+ feet high, and open a full 70 degrees for ease of access. Ergonomically placed grab handles prove the safest and most secure way in and out of the cab.

Choose your style.

The VHD's thoughtfully configured interior lets you choose from three different trim levels, all developed to stand up to the rigors of regional transport operations, while bringing premium automotive-style colors and design into the driver's working and living environment. Each of these trim levels is available with a selection of seven complementary seat options.

Learn more: USA: VHD.volvotrucks.us | CAN: VHD.volvotrucks.ca



Heron vinyl
The Fleet level trim package features a Heron vinyl headliner with a dot matrix pattern and complementary vinyl walls. The door panels are accented with durable Wren plastic inserts.



Heron cloth
The Express level package upgrades the headliner and walls with a Heron cloth finish. Door panels are accented with Wren vinyl inserts.



Longspur cloth with metallic accent
The Premier level trim upgrades the walls to a Longspur cloth with metallic accent. The door panels are completed with our finest Longspur vinyl insert.





To improve your sleep, we improved our sleeper.

Volvo VHD sleepers offer premium touches that give drivers a comfortable place to relax and recharge when regional hauls require an overnight stop. With a 36-inch wide bed, the 42-inch flat-roof VHD 400 sleeper provides ample room to rest.

A thick layer of insulation combined with some of the quietest running engines in the industry keep the cab comfortable and quiet whether you're down for an hour or for the night.



Don't get up.

The sleeper control panel can be used to lock the doors, adjust bunk heating and cooling, or set audio levels. Need assistance? Just press the "panic" button to call attention to your vehicle.



Snacks and refreshments.

The VHD comes with a "Reefer Seat" option, which provides a refrigeration drawer under the passenger seat. Perfect for storing drinks or snacks.

FUEL EFFICIENCY



The road to efficiency is paved with innovation.

At Volvo, fuel efficiency is a vital part of our commitment to your business, and ultimately, to the planet we all share. That's why we're constantly challenging ourselves to find new and improved ways to make Volvo trucks the most fuel-efficient trucks on the road, producing cleaner emissions with fewer particulates. Fuel efficiency is more than a single feature—it's a combination of customized solutions working together in perfect harmony to help you achieve the performance you want with the fuel savings you need. The result is fuel efficiency custom-built to cut your operating costs.

We work hard, to make your job easier.

At Volvo, fuel efficiency is the sum of many parts, not simply a specification to be met at the cost of performance or durability. Innovation is pursued at every opportunity. From the design on the drawing board, to the exhaust stack on the finished truck, we find solutions for improving performance, reducing friction losses, and cutting weight, all contributing to increased payload and improved fuel efficiency.



One-box aftertreatment. Volvo's "one-box" exhaust aftertreatment system offers smaller system packaging and reduces weight by 17 pounds compared to current systems. The one-box configuration provides better thermal encasing of exhaust energy and improves muffler efficiency. The use of Copper Zeolite (Cu-Z) catalyst coatings improves both low-temperature NOx conversion and long-term system robustness.



Common-rail fuel injection. Volvo's common-rail fuel system delivers multiple benefits. Finer control allows quicker, more accurate fuel injection for improved fuel efficiency; while a clean installation improves reliability and reduces engine noise.



Lower friction, wave piston design. Improvements in surface finishing of the piston skirt area significantly minimize parasitic losses due to friction between the piston and the cylinder bore, benefitting both power output and fuel efficiency. A new wave design on the face of the piston increases cylinder efficiency by optimizing flame propagation toward the center of the cylinder for an ultra-clean burn.

Powerful and precise engine braking. The intelligent Volvo Engine Brake (VEB) is an enhanced engine braking system that gives drivers precise control over engine braking and saves the truck's brakes for when they're needed most. The D11 and D13 engines use a Variable Geometry Turbocharger (VGT), which "supercharges" the VEB system. The result is phenomenal retarding horsepower at mid rpm, where the engine spends most of its time and where braking is needed most. An impressive 500 hp of retarding is available at 2200 rpm with the D13, and 410 hp with the D11.

A close-up, side-profile view of a male driver wearing an orange hard hat and a high-visibility safety vest with reflective orange and green stripes. He is wearing sunglasses and is focused on the road ahead. The interior of the Volvo truck is visible, showing the steering wheel, dashboard with various controls, and the rearview mirror. The background shows a blurred outdoor setting with trees and a road.

SAFETY

Volvo is safety.

Since 1927, safety has been the guiding principle for everything we build. We invented the three-point safety belt and were the first to introduce it as a standard feature. We also introduced the driver-side airbag and are still the only truck manufacturer to include it standard in every vehicle we make.

Volvo's commitment to safety protects your business by putting the well-being of drivers—your most valuable asset—first. Intelligent design that maximizes comfort and visibility combined with advanced safety technology helps drivers avoid or minimize accidents, keeping them safe while reducing cargo loss, downtime, and accident-related insurance costs.



Safety from the very first step.

At Volvo, driver safety begins even before the engine starts. Self-cleaning steps ensure secure footing during cab ingress and egress, while ergonomic grab-handles provide three-point contact and a solid grip, even when wearing gloves.



I-Shift for Severe Duty.

I-Shift takes away the physical and mental demands of changing gears, which reduces driver fatigue and provides more time for the driver to give full attention to jobsite safety.



Volvo Engine Brake.

With the Volvo Engine Brake (VEB), the driver doesn't have to reach over to the dash to adjust the engine brake switch every time the slope of the downgrade changes. VEB offers extremely high retardation over the speed range (on the D13, it offers an impressive 310 hp at just 1,500 rpm), without the driver even having to touch the brake pedal.

Keeping you out of danger.

Loss of control, jackknives, and rollovers are three of the most dangerous incidents a driver can face. Available on VHD tractors, Volvo Enhanced Stability Technology (VEST) continually monitors driver inputs and normal driving parameters. When VEST detects that the truck is dangerously close to an event such as a rollover, the system automatically reduces engine torque, down shifts the transmission, and selectively applies the necessary wheel-end braking to help get the truck back on course.

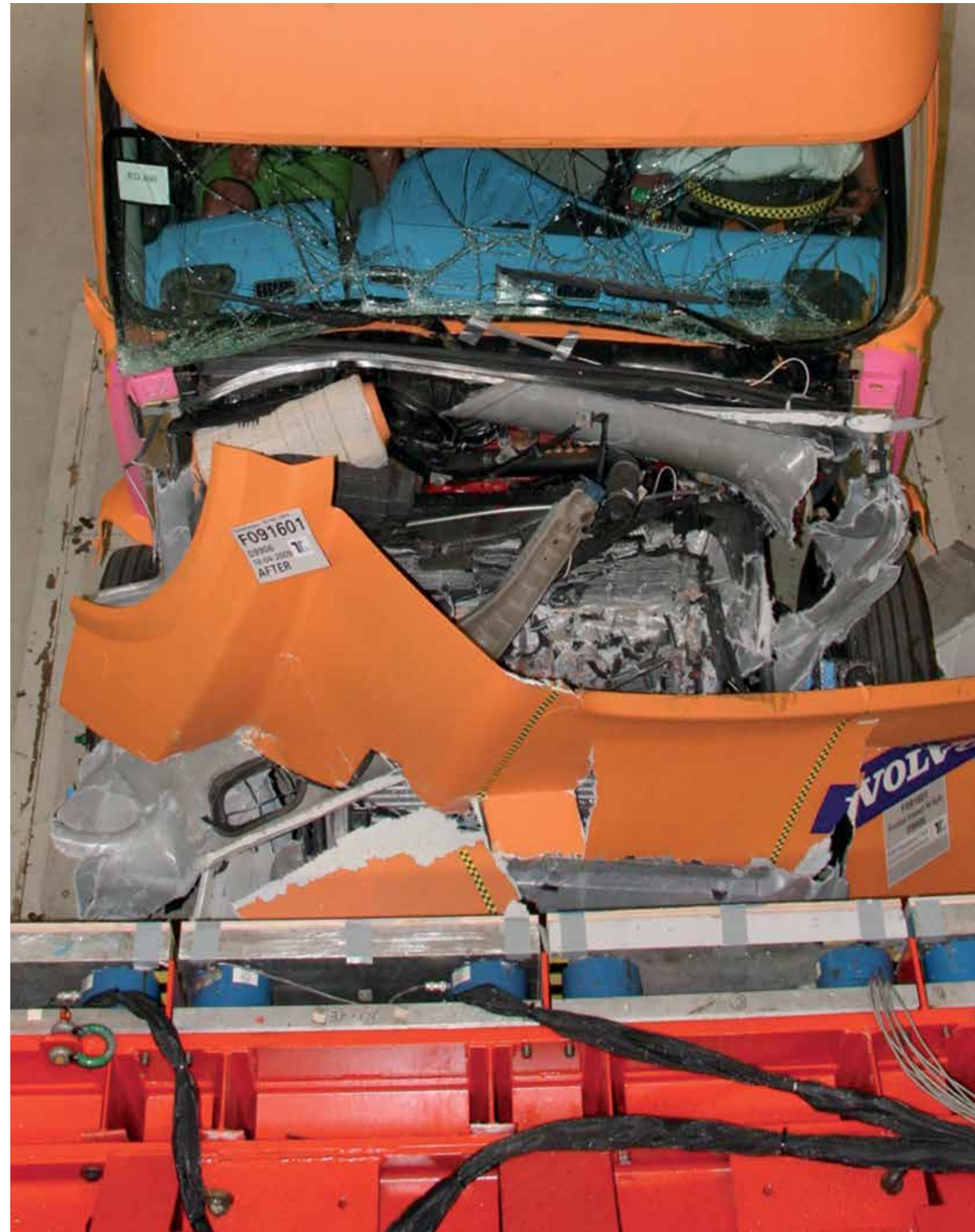
Leading-edge safety. Protecting your most important asset.



Volvo stays on the cutting edge of safety technology, ensuring that our trucks are the safest on the road. Built to exceed the demanding Swedish Cab Safety Test, our High-Strength Steel (HSS) cabs have the industry's highest strength-to-weight ratio, protecting the driver by absorbing as much crash energy as possible.

Volvo is the only Class 8 manufacturer to make a driver's side airbag standard equipment in every truck. For added rollover protection, Volvo offers the Rolltek® seat, combining seat belt pre-tensioners, automatic seat lowering to increase survival space, and an integral side airbag that deploys for head and neck protection.

Volvo combines advanced engineering with active and passive safety systems, exactly what you'd expect from the inventors of the three-point safety belt.



UPTIME



Ready for the job ahead.

You know better than anyone that every second of uptime equates to revenue, increased efficiency, and new opportunities. That's why you need a transport solutions partner that offers innovative options to keep trucks on the road and money in your pocket.

Volvo Trucks Uptime Services begin with 24/7 support, so a trained professional is always one call away. Our world-class team is backed by a suite of products and services designed to give you unprecedented control over fleet operations. Maximize uptime, increase maintenance efficiency, and protect your trucks with protection plans customized to your needs. Nothing can slow your business down when you know the job ahead.

Remote Diagnostics.



Remote Diagnostics can help avoid unexpected downtime by monitoring your Volvo engine, I-Shift, and aftertreatment 24/7. Standard in every Volvo-powered truck, Remote Diagnostics offers a range of unique benefits including enhanced proactive diagnostics, detailed analysis of critical fault codes for repair planning, immediate communication if actions are required, and streamlined service procedures. It's a powerful service that reduces average diagnostic times by 70% and average repair times by 22%.

With a dedicated team of professionals available around the clock at Volvo's world-class Uptime Center in Greensboro, NC, Volvo goes beyond diagnostic technology to deliver actionable solutions.



Updates on the fly.

Volvo's new Remote Programming feature means you'll no longer have to take your vehicle out of service to perform software and parameter updates. In the VHD, drivers simply pull over, connect to the Volvo Uptime Center, and the upgrade is done over the air in a matter of minutes.



The Volvo Uptime Center.

Real people. Real solutions. Real fast. The Volvo Uptime Center offers around-the-clock assistance anywhere in the United States and Canada. Within minutes, your driver is connected to a member of Volvo Action Service, a team of highly trained uptime experts who can quickly manage service, schedule repairs, and tackle any other issue that happens on the road.



ASIST service management platform.

Everything you need, all in one place. ASIST is a simple web-based tool that lets you monitor vehicle status, receive electronic estimates, approve repairs, issue purchase orders, and communicate directly with your dealer—regardless of your truck's location.



Premium Maintenance Plan.

For best results, plan ahead. Preventative maintenance plans improve vehicle uptime, increase productivity, and provide peace of mind by making sure all required maintenance is done efficiently and done right. Choose from a full menu of services and get access to Genuine Volvo Parts, warranty adjustments, service programs, and performance updates at pre-planned maintenance intervals.



Volvo Protection Plans.

The road can be unpredictable. Always know you're covered. Take the worry and stress out of unforeseen repairs and effectively manage costs over the life of your truck with an extended warranty through a Volvo Protection Plan. We offer a variety of plans covering the engine or chassis that can be customized to your needs—you choose the length and extent of coverage that best suits your specific application.

No matter where, we're there to support your business.

Our world-class dealer network means your trucks are never far from the quality care and maintenance you expect when you buy a Volvo truck. With more than 400 dealers and thousands of service locations across North America, Volvo Trucks Uptime Services help you through every step of a service event, and make sure your trucks stay where they belong—on the road.

Repairs are done fast and accurately by highly trained Volvo specialists. Our parts-expediting team locates the parts you need quickly—making sure they are there when you need them.

Your time means money, that's why Volvo Trucks Uptime Services saves you both.



Volvo Certified Uptime Centers.

Our Certified Uptime Center dealerships can expedite critical repairs. With the truck's remote diagnostic data already in hand, a technician can immediately diagnose the truck. If the repairs require less than four hours of service time, the truck is fast-tracked, with the goal of having it back on the road in 24 hours.



Choose your Volvo VHD.

Every business needs a truck tailored to its specific needs. That's why the Volvo VHD provides endless possibilities. With a wide range of cab sizes, powertrain choices, and interior trim levels, you'll find all the options you need. Your dealer will happily guide you in finding the perfect truck for your operation.

STEP 1:

Choose your cab.

Specifications and measurements for the axle forward daycab, the axle back daycab, and the flat-roof sleeper.

STEP 2:

Choose your powertrain.

Two different engine and transmission choices with a wide variety of power ratings and gear ratios.

STEP 3:

Choose your interior.

A trio of trim-level options that make sure drivers are at home in the cab.



STEP 1:	<input type="checkbox"/> VHD 300F AXLE FORWARD	<input type="checkbox"/> VHD 300B AXLE BACK	<input type="checkbox"/> VHD 400
Description	Daycab designed for applications requiring a bridge-law compliant wheelbase.	This daycab provides maximum maneuverability on the jobsite, available for straight-truck and tractor applications.	Flat-roof sleeper designed for heavy-haul applications requiring overnight rest periods.
Applications	Local Haul/ Short Haul	Local Haul/ Short Haul	Short Haul/ Regional Haul
Cab Type	Daycab	Daycab	42" Sleeper
Interior Height	61"	61.5"	76.5"
Interior Width	83.5" door to door	83.5" door to door	83.5" door to door with 75"x36" mattress
Wheelbase per axle configuration	138"-217" 4x2 150"-225" 6x4	173"-217" 4x2 174"-225" 6x4	193"-217" 4x2 191"-225" 6x4
Wheelbase: Alternate Configurations	146"-217" 6x2 Tag 195"-217" 6x2 Adaptive Loading	165"-217" 6x2 Tag 217"-232" 6x2 Adaptive Loading	179"-215" 6x2 Tag 224"-236" 6x2 Adaptive Loading

VHD straight trucks available in 4x2, 6x4, 8x4, and 8x6 configurations.

VHD tractors (430, daycab axle back, and daycab axle forward) available in 6x4, 8x4, and 8x6 configurations.

SPECIFICATIONS POWERTRAIN



STEP 2:

	<input type="checkbox"/> VOLVO D11	<input type="checkbox"/> VOLVO D13
--	------------------------------------	------------------------------------

Ratings:	325-425 hp / 1250-1550 lb-ft.	375-500 hp / 1450-1850 lb-ft.
Base Engine Configuration	4 cycle / Inline Six	4 cycle / Inline Six
Emissions	SCR Selective Catalytic Reduction	SCR Selective Catalytic Reduction
Aspiration	Sliding Nozzle Variable Geometry Turbocharger	Sliding Nozzle Variable Geometry Turbocharger
Cam / Valve Configuration	SOHC / 4 Valves per Cylinder	SOHC / 4 Valves per Cylinder
Cylinder Head	One Piece Rigid Deck Cylinder Head	One Piece Rigid Deck Cylinder Head
Injection System	Common Rail	Common Rail
Maximum Fuel Injection Pressure, psi (bar)	35,000 (2,400)	35,000 (2,400)
Rating Uprateability	Software Only, Throughout Range	Software Only, Throughout Range
Displacement, cu. in. (L)	661 (10.8)	780 (12.8)
Compression Ratio	17:1	17:1
Bore & Stroke, in. (mm)	4.84 x 5.98 (123 x 152)	5.16 x 6.22 (131 x 158)
Cylinder Spacing, in. (mm)	6.06 (154)	6.61 (168)
Full Dress Dry Weight, lb. (kg)	2259 (1025)	2605 (1182)
Fuel and Lubrication:		
Fuel Specification	Ultra Low Sulfur Diesel, 15 ppm	Ultra Low Sulfur Diesel, 15 ppm
Fuel Filters	Primary plus Secondary	Primary plus Secondary
Total Lube Oil Capacity, qts. (L)	38 (36)	38 (36)
Oil Filtration	Two Full Flow, One Bypass	Two Full Flow, One Bypass
Oil Drain Interval, Normal Service, miles (km)	60,000 (96,561)*	60,000 (96,561)*
Oil Specification	Volvo VDS-4.5, SAE 10W-30	Volvo VDS-4.5, SAE 10W-30
FLOCS Oil Drain Kit	Optional	Optional
Engine Equipment:		
Air Compressor, CFM	Two Cylinder, 31.8	Two Cylinder, 31.8
Retarder	Volvo Engine Brake (VEB)	Volvo Engine Brake (VEB)
Engine Brake Rating at 2200 rpm	420 hp @ 2200 rpm	500 hp @ 2200 rpm
Engine Brake Rating at 1500 rpm	266 hp @ 1500 rpm	350 hp @ 1500 rpm
Engine Brake Weight, lbs. (kg)	25 (12)	25 (12)
PTO Port for Live Rear PTO Pump or Shaft	Optional	Optional
Preheater, Electrical	Optional	Optional



	<input type="checkbox"/> VOLVO I-SHIFT I-SHIFT FOR SEVERE DUTY I-SHIFT WITH CRAWLER GEARS	<input type="checkbox"/> EATON FULLER 10, 13, 18	<input type="checkbox"/> ALLISON 5-6 SPEED AUTOMATIC
--	---	--	---

Description	Automated Manual Transmission	Manual	Automatic
Dry Weight w/ clutch and oil cooler (lbs.)	Automated Manual Transmission	541 or 716*	535 to 831
Max Torque Capacity (ft-lb) / (NM)	720 or 805	1850 (2508)	1650 (2237)
Transmission Housing Body	1900 (2600)	Aluminum or Steel	Aluminum
Max Highway Weight (lbs)	Aluminum	140,000**	Manufacturer approval required
Downhill economy mode	220,000**	No	No
Software based upgrades available	Yes	14.80 to 19.72	Yes
Gear Ratios	14.94 to 41.08	10, 13 or 18	N/A***
Forward Gears	12, 13 or 14	2 to 4	5 or 6
Reverse Gears	2 to 6	2 to 4	1

* Without clutch housing and end yoke

** Application approval required

*** Torque converter

SPECIFICATIONS INTERIOR



STEP 3:

	<input type="checkbox"/> FLEET TRIM LEVEL	<input type="checkbox"/> EXPRESS TRIM LEVEL	<input type="checkbox"/> PREMIER TRIM LEVEL
Description	Our Fleet Trim Level is designed for maximum durability to withstand the wear associated with high-use applications.	Express Trim Level features a Heron cloth finish throughout the cab, with touches of Wren vinyl for a more refined interior.	The Premier Trim Level offers luxurious options in every corner, including Wood Grain trim for the dash and cabinetry.
Headliner	Heron vinyl with dot matrix	Heron cloth	Heron cloth
Back Wall	Heron vinyl	Heron cloth	Longspur cloth with metallic accent
Door Insert	Wren molded plastic	Wren vinyl	Longspur vinyl
Instrument Panel Decorative Trim	Hex Grain	Hex Grain	Wood Grain
Cabinet Trim	Hex Grain	Hex Grain	Wood Grain
Seat Options	Seven	Seven	Seven
Floor Insert Options	Two	Two	Two





VOLVO

Volvo Trucks

www.volvotrucks.us | www.volvotrucks.ca

Volvo Trucks Canada
2100 Derry Road West, Suite 410
Mississauga, Ontario L5N 0B3

Volvo Trucks North America
7900 National Service Road
Greensboro, NC 27409

Volvo Trucks Mexico
Torre Zentrum piso 21
Av. Santa Fe #495 Col. Cruz Manca
Del. Cuajimalpa Ciudad de Mexico
CP05340

Some vehicles shown with optional equipment.

©2017 Volvo Truck Group North America, LLC
PV835-1046